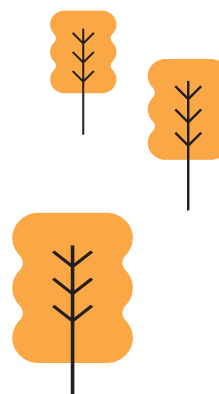




PANASONIC PACi WATER HEAT EXCHANGER FOR CHILLED AND HOT WATER PRODUCTION

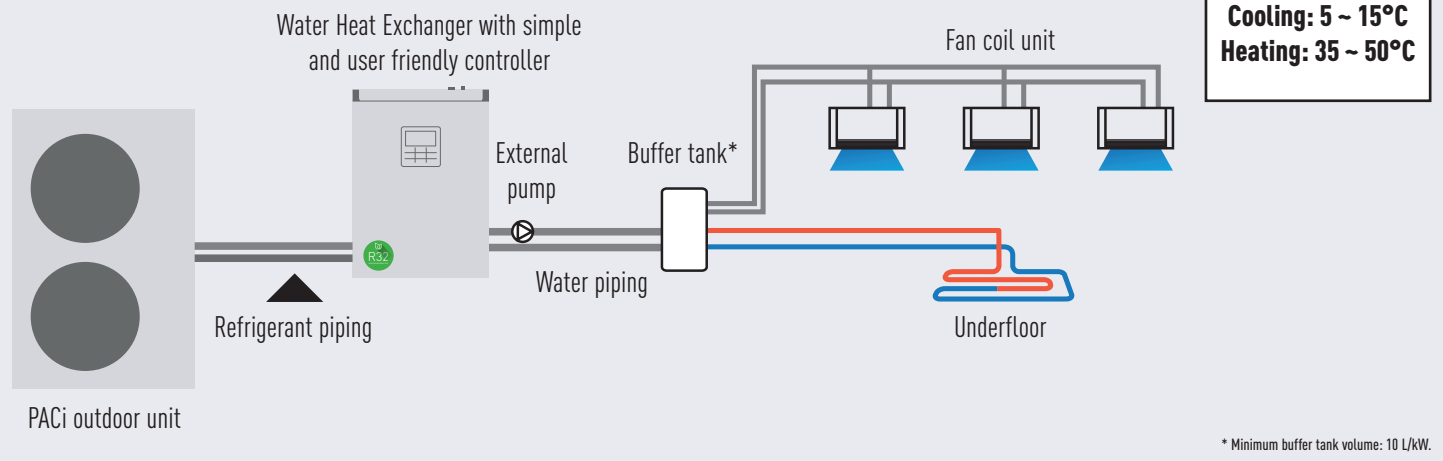
Panasonic introduces highly-efficient Water Heat Exchanger for PACi Series.

This ground-breaking product gives further possibilities of PACi solutions by adding hydronic options.



HIGHLY-EFFICIENT WATER HEAT EXCHANGER FOR PACi SERIES

System example.



1 Cost Saving Solution

- A++ Energy efficiency class (scale from A+++ to D)
- Cost effective water projects thanks to lower cost for PACi compared to VRF

2 Space saving & Flexible positioning

- 2 installation possibilities (wall mounted / floor standing)
- Compact, lightweight unit design, only 27kg

3 Easy Installation, Maintenance

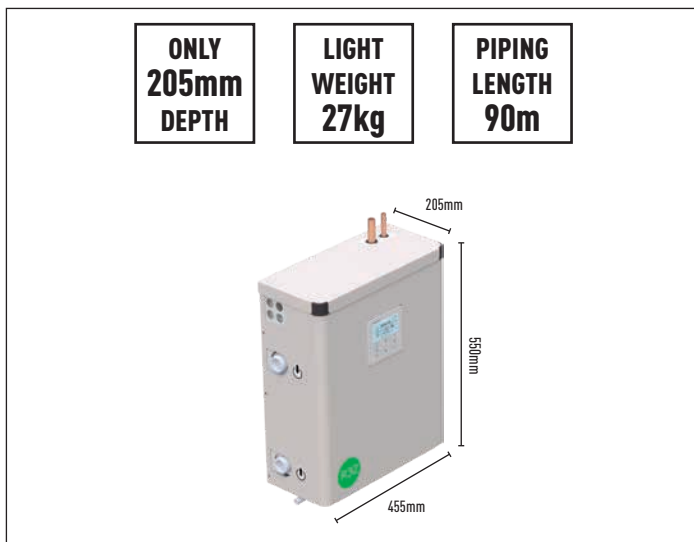
- Quick mounting process
- Flow switch kit is included as a standard
- Direct access to electrical box

Space saving & Flexible positioning

Compact and light unit.

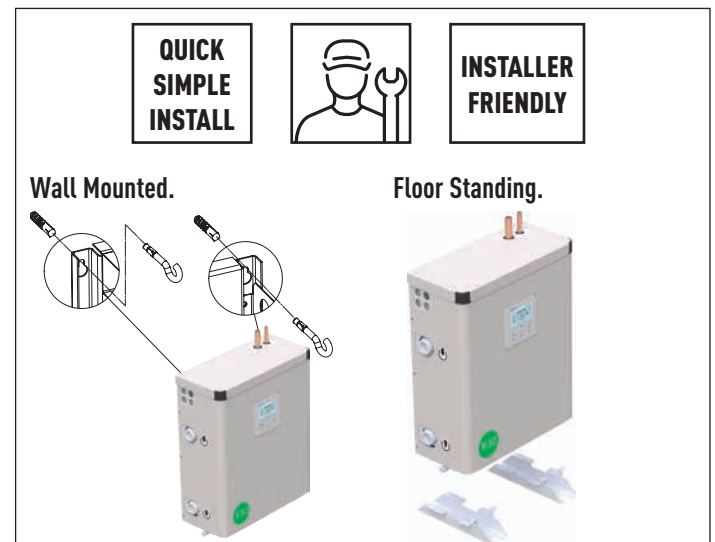
- Only 205mm depth fits within a limited space
- Lightweight design at only 27kg, makes it easy to maneuver and position
- Maximum total refrigerant piping length : 90m*

* 90m for PAW-200W5APAC.



2 installation options.

- Wall Mounted and Floor Standing installation options are available.
Free-up floor space by using the Wall Mounted installation
- Quick Mounting Process with its lightweight compact design
Make fixing holes → Fix 2 screws → Hang the unit → Finish!!!



PACi Water Heat Exchanger (WHE) is ideal solution for small retails and offices.

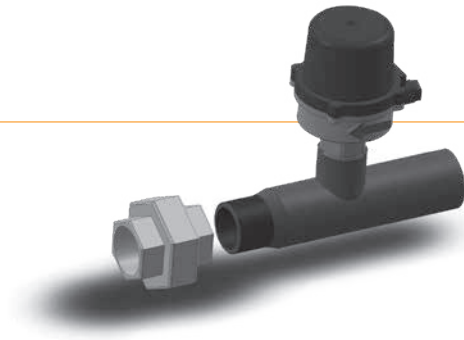
This is the first PACi connected WHE system.

The investment costs can be amortised in a short period.

PACi

Quick installation with pre-assembled flow switch

The flow switches come pre-assembled with pipe fittings for ease of installation.



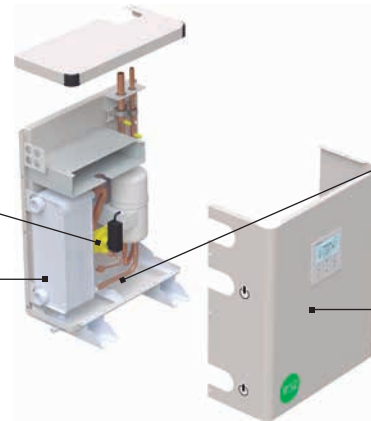
Easy maintenance operation from two points of access



Removable lid for electrical installation

Electrical Box

Integrated Control display



Rear differential pressure switch for BPHE safety

Plate heat exchanger with optimized distributor for R32 refrigerant

Antifreeze Sensor

Completely removable metallic case: full access for maintenance

Application example

- Fulfilling R32 refrigerant needs to follow environmental perspective, Company policy



Foodchain.

- Water solution to substitute existing boiler system
- Hydraulic system to reduce total amount of HFC refrigeration



Small office.

PACi R32 Refrigerant Gas

Panasonic recommends R32 because it is comparably environmentally friendly. Compared to R22 and R410A, R32 has a very low potential impact on global warming. Panasonic is leading the switch to R32.



New PACi with Water Heat Exchanger for chilled and hot water production • R32 GAS



NEW
2019

PAW-200W5APAC
PAW-250W5APAC



U-200PZH2E8
U-250PZH2E8

Water Heat Exchanger			PAW-200W5APAC	PAW-250W5APAC
Cooling capacity ¹⁾		kW	20,00	25,00
EER ¹⁾		W/W	3,03	2,89
Heating capacity ²⁾		kW	23,00	28,00
COP ²⁾		W/W	2,98	2,95
η_{sh} (LOT1) ³⁾		%	171	161
Energy efficiency class (Scale A+++ to D) ⁴⁾			A+++	A+++
Dimension	H x W x D	mm	550 x 455 x 205	550 x 455 x 205
Net weight		kg	27	27
Water pipe connector		Inch	Male Thread 1 ¼	Male Thread 1 ¼
Cooling water flow ($\Delta T=5$ K, 35°C)		m ³ /h	3,45	4,30
Heating water flow ($\Delta T=5$ K, 35°C)		m ³ /h	4,15	4,85
Flow switch			Included	Included
Water filter			Included	Included
Outdoor Unit			U-200PZH2E8	U-250PZH2E8
Sound pressure	Cool / Heat (Hi)	dB(A)	59 / 61	59 / 63
Dimension	H x W x D	mm	1500 x 980 x 370	1500 x 980 x 370
Net weight		kg	117	128
Piping connections	Liquid pipe	Inch (mm)	3/8 (9,52)	1/2 (12,70)
	Gas pipe	Inch (mm)	1 (25,40)	1 (25,40)
Pipe length range		m	5 - 90	5 - 60
Elevation difference (in/out)		m	30	30
Pipe length for additional gas		m	30	30
Additional gas amount		g/m	60	80
Water outlet temperature range	Cool Min - Max	°C	+5 - +15	+5 - +15
	Heat Min - Max	°C	+35 - +50	+35 - +50
Operating range	Cool Min - Max	°C	-15 - +46	-15 - +46
	Heat Min - Max	°C	-20 - +24	-20 - +24

1) Data refers to 7°C leaving chilled water temperature and 35°C ambient air temperature, according to EN14511 standard. 2) Data refers to 45°C leaving warm water temperature and 7°C ambient air temperature according to EN14511 standard. 3) Following COMMISSION REGULATION (EU) No 813/2013 for low-temperature heat pumps. 4) Following COMMISSION REGULATION (EU) No 811/2013 for low-temperature heat pumps. Scale from A+++ to D.



Refrigerant gas R32. Our heat pumps containing the refrigerant R32 show a drastic reduction in the value of Global Warming Potential (GWP). — Better efficiency & Value for low temperature applications. Energy efficiency class A+++ in a scale from A+++ to D. — Down to -20°C in cooling mode. System works in heating mode at outdoor temperature down to -20°C. — Up to 46°C in cooling mode. System works in cooling mode at outdoor temperature up to 46°C. — A touch screen remote controller is included as a standard. Clean design. Easy operation and quick access to all menus.

Panasonic®

To find out how Panasonic cares for you, log on to www.Panasonic.co.uk/aircon
01344 85 3182
uk-aircon@eu.panasonic.co.uk

Heating & Cooling Solutions
Panasonic Appliances Air Conditioning Europe (PAAPEU)
Panasonic UK, a branch of Panasonic Marketing Europe GmbH
Maxis 2, Western Road, Bracknell, Berkshire, RG12 1RT, UK

heating & cooling solutions