

NEW LOW STATIC HIDE AWAY

Panasonic



Low Static Pressure Hide Away PACi Standard and Elite Inverter+. High heating capacity at -7°C

The depth of only 250mm provides greater installation flexibility and the unit can be used in more applications. Ideal for sites with narrow ceiling voids.

PACi
ELITE / STANDARD



New wired remote controller with Econavi function control

Easy to use, attractive, clear design, with new demand control functions and energy consumption display! This useful feature makes this remote control unique!

The new CZ-RTC3 wired remote control is ideal for integration into the most demanding interior architectures.

The touch panel features a very sleek and easy to use display, which with its compact display is only 120mm x 120mm x 16mm.



New Econavi Sensor

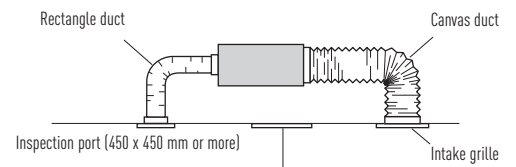
The all new Econavi Sensor detects presence in the room, and quietly adapts the PACi or VRF air conditioning system in order to improve comfort and maximise energy savings.

Discharge air temperature control

Possible to reduce cold drafts at heating operation.

System Example

An inspection port (450 mm x 450 mm or more) is required at the control-box side of the indoor unit body.



Low Static Pressure Hide Away (PN Type)

Ultra-slim profile: 250 mm height for all models.



LOW STATIC PRESSURE HIDE AWAY PACi STANDARD AND ELITE INVERTER+



OPTIONAL CONTROLLERS

Wired remote controller
CZ-RTIC3



Timer remote controller
CZ-RTIC2



Wireless remote controller
CZ-RWSKZ + CZ-RWSC3



Simplified remote controller
CZ-REZC2



Compatible with all Panasonic connectivity solutions. For detailed information go to the Control Systems section.



COMPACT & LIGHT

U-60PE1E5
U-71PE1E5



U-100PE1E5
U-125PE1E5
U-100PE1E8
U-125PE1E8

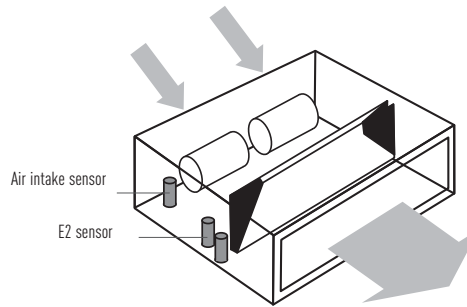


U-140PE1E8
U-100PE1E5A
U-125PE1E5A
U-140PE1E5A
U-100PE1E8A
U-125PE1E8A
U-140PE1E8A

- Compact indoor units without losing static pressure (Only 250 mm high)
- 50 Pa static pressure
- Easy maintenance and service via external electrical box
- 3 speed centrifugal fan through wired or wireless remote control
- DC FAN for better efficiency and control
- Easy connection and control of external fan or ERV using the connector PAW-FDC on the indoor unit PCB. The external device can be control by the remote control of the Panasonic indoor unit

Cold Drafts Reduction at Heating

- Accurate temperature measurement by E2 sensor to reduce cold drafts at heating.



Before spec-in, please consult with an authorized Panasonic dealer.



Control your air conditioning from wherever you are at home. Control your comfort and efficiency with the lowest energy consumption

Panasonic has always offered its customers the most efficient Heat Pumps and Air Conditioners. Now it has taken a step forward and presents a control solution taking advantage of the latest Cloud Technology to enable you to manage your climate system from anywhere in the world.

Control your environment from your smartphone, tablet computer, any Android device or from a PC with Internet access using this add-on service. Offering the same functions as if you were at home: start/stop, Mode Operation, Set Temperature, Room Temperature etc. Experience the new, advanced functionality provided by Panasonic to achieve the best comfort and efficiency with the lowest energy consumption.

HIGH STATIC PRESSURE HIDE AWAY PACi STANDARD AND ELITE INVERTER+	Cooling			Heating			Sound pressure dB(A)	Dimensions (In) mm	Dimensions (Out) mm	Operating range Cool — Heat Min / Max °C
	Capacity Nom (Min - Max) kW	ESEER Nominal W/W	Power input Nominal (Min - Max) kW	Capacity Nom (Min - Max) / at -7°C kW	SCOP Nominal W/W	Power input Nominal (Min - Max) kW				
High Static Pressure Hide Away PACi Standard Inverter+										
KIT-60PN1E5A*	6,0 (2,0 - 7,0)	4,7 A	1,990 (0,325 - 2,940)	6,0 (1,8 - 7,0) / 4,39	3,8 A	1,660 (0,275 - 2,420)	43 / 41 / 36 — 43 / 41 / 36	250 x 1.000(+100) x 650	569 x 790 x 285	-10 / +43 — -15 / +24
KIT-71PN1E5A*	7,1 (2,0 - 7,7)	5,0 B	2,570 (0,325 - 3,230)	7,1 (1,8 - 8,1) / 4,32	3,8 A	2,080 (0,275 - 2,780)	43 / 41 / 36 — 43 / 41 / 36	250 x 1.000(+100) x 650	569 x 790 x 285	-10 / +43 — -15 / +24
KIT-100PN1E5A*	10,0 (2,7 - 11,5)	5,3 A	3,555 (0,570 - 4,300)	10,0 (2,1 - 13,8) / 7,22	3,8 A	2,935 (0,450 - 4,100)	44 / 42 / 37 — 44 / 42 / 37	250 x 1.200(+100) x 650	996 x 940 x 340	-10 / +43 — -15 / +24
KIT-125PN1E5A*	12,5 (3,8 - 13,5)	3,7 ¹⁾	4,445 (0,950 - 5,200)	12,5 (3,4 - 15,0) / 9,14	3,4 ²⁾	3,665 (0,780 - 4,600)	45 / 43 / 38 — 45 / 43 / 38	250 x 1.200(+100) x 650	996 x 940 x 340	-10 / +43 — -15 / +24
KIT-100PN1E8A*	10,0 (2,7 - 11,5)	5,2 A	3,555 (0,570 - 4,300)	10,0 (2,1 - 13,8) / 7,22	3,8 A	2,935 (0,450 - 4,100)	44 / 42 / 37 — 44 / 42 / 37	250 x 1.200(+100) x 650	996 x 940 x 340	-10 / +43 — -15 / +24
KIT-125PN1E8A*	12,5 (3,8 - 13,5)	3,7 ¹⁾	4,445 (0,950 - 5,200)	12,5 (3,4 - 15,0) / 9,14	3,4 ²⁾	3,665 (0,780 - 4,600)	45 / 43 / 38 — 45 / 43 / 38	250 x 1.200(+100) x 650	996 x 940 x 340	-10 / +43 — -15 / +24
KIT-140PN1E8A*	14,0 (3,3 - 15,5)	3,8 ¹⁾	4,700 (0,840 - 6,000)	14,0 (4,1 - 16,0) / 11,68	3,5 ⁴⁾	3,880 (1,050 - 5,400)	46 / 44 / 39 — 46 / 44 / 39	250 x 1.200(+100) x 650	1.416 x 940 x 340	-10 / +43 — -15 / +24
High Static Pressure Hide Away PACi Elite Inverter+										
KIT-50PN1E5A*	5,0 (1,5 - 5,6)	4,6 B	1,560 (0,260 - 2,310)	5,6 (1,5 - 6,3) / 3,62	3,8 A	1,740 (0,220 - 2,520)	41 / 39 / 35 — 41 / 39 / 35	250x780(+100)x650	569 x 790 x 285	-15 / +46 — -20 / +24
KIT-60PN1E5A*	6,0 (2,5 - 7,1)	5,5 A	1,850 (0,550 - 2,105)	7,0 (2,0 - 8,0) / 5,85	3,8 A	1,940 (0,500 - 2,585)	43 / 41 / 36 — 43 / 41 / 36	250x1.000(+100)x650	996 x 940 x 340	-15 / +46 — -20 / +24
KIT-71PN1E5A*	7,1 (2,5 - 8,0)	5,5 A	2,150 (0,550 - 2,750)	8,0 (2,0 - 9,0) / 6,69	3,7 A	2,260 (0,500 - 2,920)	43 / 41 / 36 — 43 / 41 / 36	250x1.000(+100)x650	996 x 940 x 340	-15 / +46 — -20 / +24
KIT-100PN1E5A*	10,0 (3,3 - 12,5)	6,0 A+	2,670 (0,870 - 3,800)	11,2 (4,1 - 14,0) / 9,63	3,9 A	2,950 (0,980 - 4,500)	44 / 42 / 37 — 44 / 42 / 37	250x1.200(+100)x650	1.416 x 940 x 340	-15 / +46 — -20 / +24
KIT-125PN1E5A*	12,5 (3,3 - 14,0)	4,3 ¹⁾	3,890 (1,000 - 4,800)	14,0 (4,1 - 16,0) / 11,80	3,6 ²⁾	3,880 (1,050 - 5,400)	45 / 43 / 38 — 45 / 43 / 38	250x1.200(+100)x650	1.416 x 940 x 340	-15 / +46 — -20 / +24
KIT-140PN1E5A*	14,0 (3,3 - 15,5)	3,8 ¹⁾	4,650 (1,000 - 6,200)	16,0 (4,1 - 18,0) / 13,98	3,4 ²⁾	4,690 (1,050 - 6,100)	46 / 44 / 39 — 46 / 44 / 39	250x1.200(+100)x650	1.416 x 940 x 340	-15 / +46 — -20 / +24
KIT-71PN1E8A*	7,1 (2,5 - 8,0)	5,2 A	2,150 (0,660 - 2,750)	8,0 (2,0 - 9,0) / 6,69	3,7 A	2,260 (0,600 - 3,000)	43 / 41 / 36 — 43 / 41 / 36	250x1.000(+100)x650	996 x 940 x 340	-15 / +46 — -20 / +24
KIT-100PN1E8A*	10,0 (3,3 - 12,5)	5,8 A+	2,670 (0,870 - 3,800)	11,2 (4,1 - 14,0) / 9,63	3,8 A	2,950 (0,980 - 4,500)	44 / 42 / 37 — 44 / 42 / 37	250x1.200(+100)x650	1.416 x 940 x 340	-15 / +46 — -20 / +24
KIT-125PN1E8A*	12,5 (3,3 - 14,0)	4,3 ¹⁾	3,890 (1,000 - 4,800)	14,0 (4,1 - 16,0) / 11,80	3,6 ²⁾	3,880 (1,050 - 5,400)	45 / 43 / 38 — 45 / 43 / 38	250x1.200(+100)x650	1.416 x 940 x 340	-15 / +46 — -20 / +24
KIT-140PN1E8A*	14,0 (3,3 - 15,5)	3,8 ¹⁾	4,650 (1,000 - 6,200)	16,0 (4,1 - 18,0) / 13,98	3,4 ²⁾	4,690 (1,050 - 6,100)	46 / 44 / 39 — 46 / 44 / 39	250x1.200(+100)x650	1.416 x 940 x 340	-15 / +46 — -20 / +24

Rating Conditions: Cooling Indoor 27°C DB / 19°C WB. Cooling Outdoor 35°C DB / 24°C WB. Heating Indoor 20°C DB. Heating Outdoor 7°C DB / 6°C WB. (DB: Dry Bulb; WB: Wet Bulb). // Specifications subject to change without notice.
 1) ESEER is calculated in base Eurovent IPLV for SBEM for U1 indoor unit SEER=a(EER25)+b(EER50)+c(EER75)+d(EER100) where EER25, EER50, EER75 and EER100 are the EER measured value at 25%, 50%, 75% and 100% part load for temperatures 20, 25, 30 and 35°C DB, respectively. a, b, c and d are values assigned for an office type. These values are given as a=0,2, b=0,36, c=0,32 and d=0,03. The internal temperatures are taken at 27°C DB and 19°C WB. 2) SCOP is calculated in base Eurovent IPLV for SBEM with U1 indoor unit including defrost correction factor.

* Available from May 2014.
 For detailed information about ERP, please visit our page <http://www.ptc.panasonic.eu>

 Internet Control is a next generation system providing a user-friendly remote control of air conditioning or heat pump units from everywhere, using a simple Android or iOS smartphone, tablet or PC via internet.	 Inverter plus products improve on the characteristics of standard Inverter range by over 20%. This means 20% less consumption and 20% OFF your electric bill. A Inverter plus is also A class on cooling and heating mode.	 Exceptional Seasonal Cooling Efficiency based on the new ERP regulation. Higher ESEER ratings mean greater efficiency. Save all the year while cooling! For Elite range.	 Exceptional Seasonal Heating Efficiency based on the new ERP regulation. Higher SCOP ratings mean greater efficiency. Save all the year while heating! For Elite range.	 The air conditioner works in cooling mode only with an outdoor temperature of -15°C. For Elite range.	 The air conditioner works in heat pump mode even when outdoor temperatures are as low as low as -20 °C. For Elite range.	 The communication port is integrated into the indoor unit and provides easy connection to, and control of, your Panasonic heat pump to your home or building management system.	 The Panasonic renewal system allows good quality existing R22 pipe work to be re-used whilst installing new high efficiency R410A systems.	 5 years warranty. We guarantee the compressors in the entire range for five years.
------------------------------------------------------------------------------------------------------------------------------------------------------------------------------------------------------------------------	--------------------------------------------------------------------------------------------------------------------------------------------------------------------------------------------------------------------------------	------------------------------------------------------------------------------------------------------------------------------------------------------------------------------	-----------------------------------------------------------------------------------------------------------------------------------------------------------------------------	-----------------------------------------------------------------------------------------------------------	------------------------------------------------------------------------------------------------------------------------------	-------------------------------------------------------------------------------------------------------------------------------------------------------------------------------------	------------------------------------------------------------------------------------------------------------------------------------------------	----------------------------------------------------------------------------------------

Panasonic

To find out how Panasonic cares for you, log on to: www.aircon.panasonic.eu

Panasonic Marketing Europe GmbH
 Panasonic Air Conditioning
 Hagenauer Strasse 43, 65203 Wiesbaden, Germany

heatingandcoolingsystems